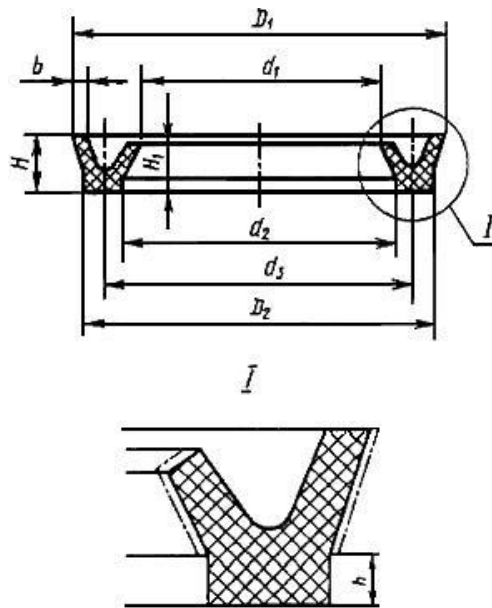


ГОСТ 6678-72

Диаметр цилиндра D	D1	D2	H	Цена
16	17	7,5	3,5	54,38
18	19		4,0	55,22
20	21	9,5		
22	23	11,5		
25	26	13,0	5,0	72,63
28	29	16,0		
32	33	20,0		
36	37	21,0	6,0	77,81
40	41	25,0		73,13
45	46	30,0		
50	50	33,0	6,5	85,00
56	56	39,0		
60	60	43,0		92,00
63	63	46,0		
70	70	53,0		100,00
71	71	54,0		
80	80	62,0		117,00
90	90	72,0		112,50
100	100	82,0		172,00
110	109	90,0		7,0
125	124	105,0	187,00	
140	139	118,0	240,00	
160	159	138,0	270,00	
180	179	158,0	270,00	
200	199	178,0	345,00	
220	219	195,0	8,0	389,00
250	249	225,0		519,00
280	279	255,0		788,00
320	319	295,0		882,00
360	359	335,0		1903,00
400	399	375,0		1211,00



ГОСТ 6678-72

<i>Диаметр цилиндра D</i>	<i>d1</i>	<i>D1</i>	<i>H</i>	<i>Цена</i>
8	7,0	17,0	4	55,22
9	8,0	18,0		
10	9,0	21,0	5	56,84
11	10,0	22,0		
12	11,0	23,0		
14	13,0	25,0		
16	15,0	29,0		
18	17,0	31,0	6	68,43
20	19,0	33,5		
22	21,0	35,5		
25	24,0	38,5		
28	27,0	41,5		
32	31,0	45,5		
36	34,5	49,5		
40	38,5	53,5		
45	43,5	60,5		
50	48,5	65,5		
56	54,0	71,5	7	73,13
60	58,0	75,5		82,5
63	61,0	78,5		89,06
70	68,0	85,5		89,06
71	69,0	86,5		97,50
80	78,0	95,5	7	97,50
90	88,0	105,5		100,00
				100,00
			7	100,00
				112,50
				106,00

100	98,0	115,5	7	136,00
110	108,0	125,5		168,00
125	123,0	140,5		188,00
140	138,0	155,5		270,00
160	158,0	175,5		270,00
180	178,0	195,5		240,00
200	198,0	215,5		338,00

